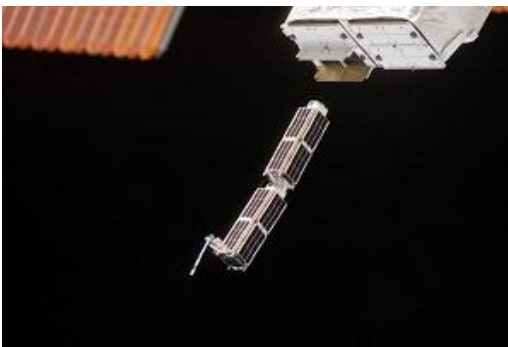


The picosat 'GEARsat' is a communications satellite demonstrating coverage of the GlobalStar network in low-earth orbit.

CubeSat Deployment from the ISS

Quad-M has shipped 32 CubeSat Deployers to date for use on the International Space Station. Some have already been used to deploy a total of 33 commercial and research satellites in February 2014.

Quad-M continues to design, manufacture and sell CubeSat Deployers for future space missions.



Planet Labs' Dove from Flock-1 being deployed from the ISS. Image Credit: NASA

Who We Are

About Us

Quad-M, Inc. is an engineering and manufacturing company serving primarily the aerospace industry. At the facility in McDade, Texas, we offer full services from job machining to complete design and build. With high-quality, close tolerance accuracy, and state-of-the-art equipment and automated machinery, Quad-M is dedicated to providing superior products and services for your CubeSat hardware needs.

Contact Us

Phone: 512-273-1238
Email: info@quadminc.com
Web: <http://quadminc.com>

QUAD-M, INC.



QUAD-M, INC.

1550 Hwy 290 East
PO Box 810
McDade, TX 78650

Engineering and
Manufacturing for the
Aerospace and CubeSat
Industries

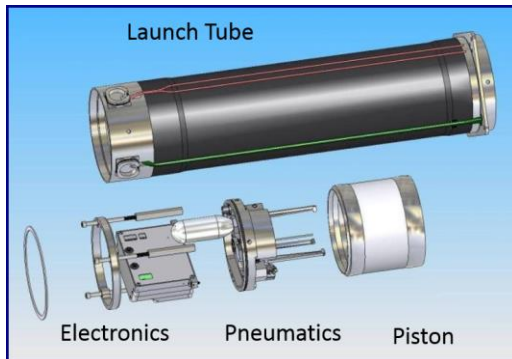
CAPABILITIES

CubeSat Deployers

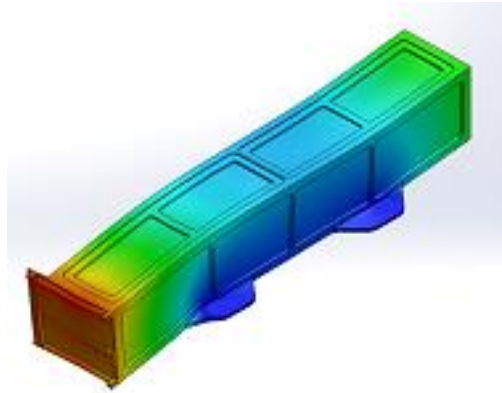


CubeSat Deployers for the ORB-2 mission

Cold Gas Launcher



Design & Analysis



Manufacturing



Inflatable Target



Packaged



Inflated

Assembly



Quality



Zero-G Testing

Quad-M performs zero-G simulation testing with its deployment systems. One type of test involves ejecting mass models attached to a counter-weight using a cord and pulleys. Drop tests can also be performed. A data recorder is used to measure 6-axis dynamics at deployment.

Air Bearing Testing



Environmental Testing

